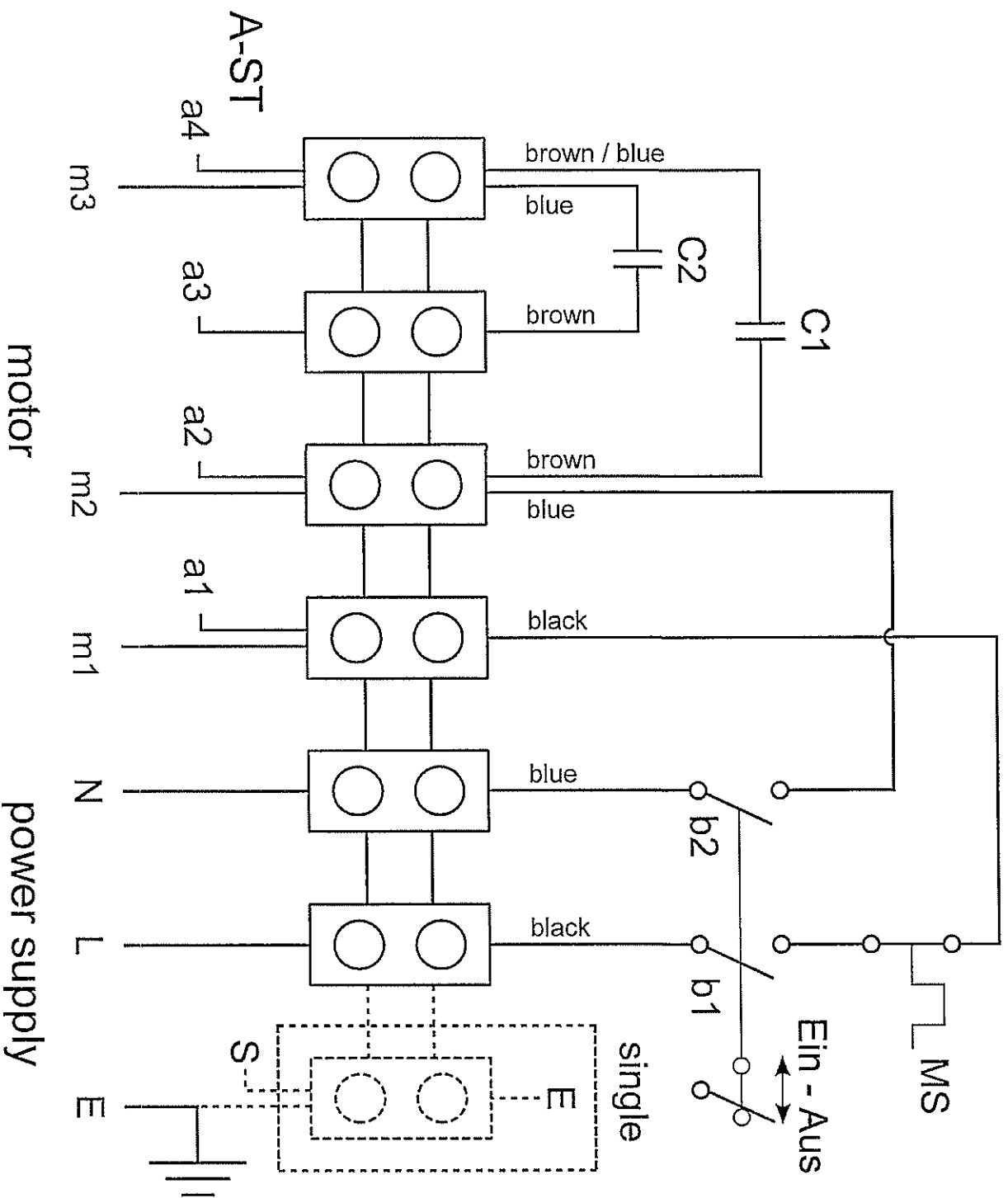


wiring diagram



power supply

- E ... earthing / grounding
- L ... live
- N ... neutral
- L 110V 230V
- L black brown
- N white blue

single tandem ... single

- S ... power socket earthing

motor 110V 230V

- m1 white red
- m2 black green
- m3 red yellow

capacitors

- C1 ... running capacitor
- C2 ... start-up capacitor

start-up control ... A-ST

- a1 ... green / blue
- a2 ... white
- a3 ... brown
- a4 ... yellow

micro switch ... b1, b2

- thermo relaise ... MS
- (motor circuit breaker)